



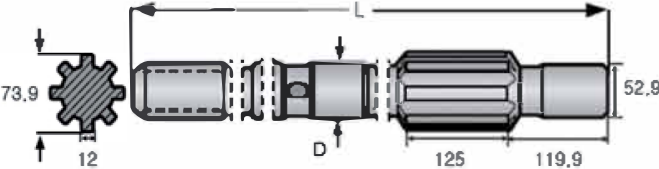
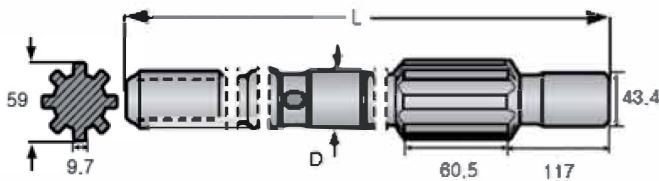
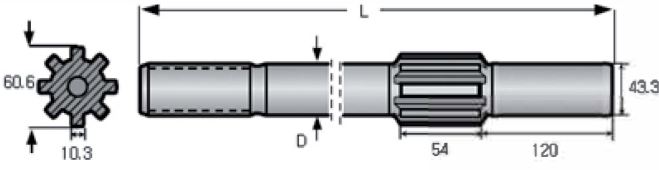
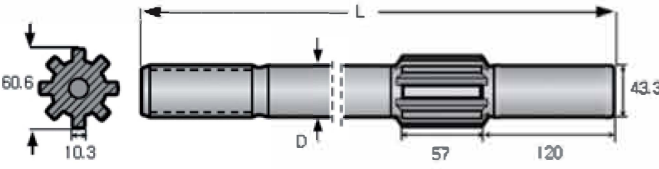
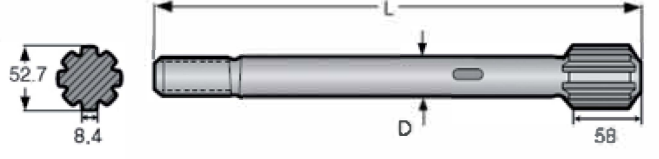
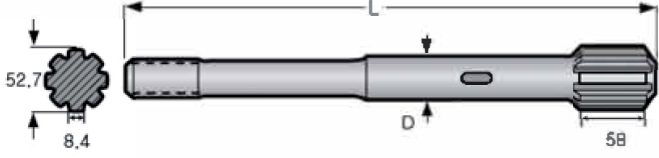
## Adaptadores de Martillos

Figura Nº	Martillo	Salida de Barrido	D=W	Rosca	Longitud mm	Peso Aproximado	
		mm	mm			Kg	lb
S201	Furukawa PD200/M120/HD200 Gardner Denver PR123/133/55 Ingersoll Rand URD475/550,VL120/140 Mitsui TR300/350S/400 Tamrock L600/750 Toyo PR120/220	14.3	44.1	R32	330	3.3	7.26
		14.3	44.1	R38	349	3.3	7.26
S202	Furukawa PD200/M120/HD200 Gardner Denver PR123/133/55 Ingersoll Rand URD475/550,VL120/140 Mitsui TR300/350S/400 Tamrock L600/750 Toyo PR120/220	14.3	44.3	R38	380	3.7	8.14
		14.3	44.3	T38	380	3.7	8.14
		14.3	44.3	T38	446	4.5	9.90
		14.3	44.3	T45	380	4.1	9.02
		14.3	44.3	T45	446	4.8	10.56
S203	Furukawa PD200R	14.3	44.3	T38	380	4.2	9.24
		14.3	44.3	T38	485	4.8	10.56
		14.3	44.3	T45	485	4.8	10.56
S204	Furukawa HD50	SF	40.0	R38	525	4.3	9.46
		SF	40.0	T38	525	4.3	9.46
S205	Furukawa HD90	SF	40.0	R38	500	4.9	10.80
		SF	40.0	T38	500	4.9	10.80
S206	Furukawa HD135/135A	SF	40.0	R38	501	5.3	11.66





## Adaptadores de Martillos

Figura Nº	Martillo	Salida de Barrido	D=W	Rosca	Longitud	Peso Aproximado	
			mm			mm	mm
S415	Ingersoll Rand YH110VRP/125RP/135RP 	SF	54.9	T45	900	14.6	32.12
		SF	54.9	T51	840	14.6	32.12
		SF	54.9	T51	900	14.6	32.12
		SF	54.9	T51	950	14.6	32.12
S501	Joy 	SF	42.0	T38	550	5.6	12.32
S502	Joy VCR260/360 Tamrock HL844 	16.0	38.0	R38	391	3.6	7.92
		16.0	38.0	T38	391	3.6	7.92
S503	Joy VCR260/360 Tamrock HL844 	16.0	38.0	T38	410	4.1	9.02
		14.3	38.0	T38	435	3.6	7.92
		16.0	44.0	T45	425	4.6	10.12
		16.0	38.0	T45	450	5.0	11.00
S601	Montabert HC40/50 	SF	32.0	R32	372	3.2	7.04
		SF	32.0	R38	372	3.2	7.04
S602	Montabert HC40/50 	SF	38.0	R32	447	3.5	7.70
		SF	38.0	R38	447	3.7	8.14
		SF	38.0	T38	447	3.7	8.14





## Adaptadores de Martillos

Figura Nº	Martillo	Salida de Barrido	D=W	Rosca	Longitud	Peso Aproximado	
			mm			mm	mm
S609	Montabert HC200	SF	50.9	T51	840	13.6	29.92
		SF	62.9	T60	840	16.5	36.30
S610	Montabert HC200A	SF	60.0	T51	865	13.6	29.92
		SF	60.0	T60	978	18.0	39.60
		SF	60.0	YT60	850	16.8	36.96
S801	Tamrock HL300S	SF	45.0	R32	245	2.6	5.72
S802	Tamrock HLR438L/438T	12.7	38.0	R32	380	3.8	8.36
		12.7	38.0	R38	380	4.0	8.80
		12.7	38.0	T38	400	4.1	9.02
S803	Tamrock HLR438LS/438TS/HL538	SF	38.0	R32	450	3.8	8.36
		SF	38.0	R38	450	4.0	8.80
		SF	38.0	T38	455	4.1	9.02
S804	Tamrock HL500-38/510-38	SF	38.0	R32	550	4.3	9.46
		SF	38.0	R38	550	4.6	10.12
		SF	38.0	T38	550	4.6	10.12





## Adaptadores de Martillos

Figura Nº	Martillo	Salida de Barrido	D=W	Rosca	Longitud	Peso Aproximado	
			mm			mm	mm
S805	Tamrock HL500-45/510-45 	SF	45.0	R32	550	5.3	11.66
		SF	45.0	T38	550	5.3	11.66
		SF	45.0	T45	550	5.8	12.76
S806	Tamrock HL500S-38/510S-38 	SF	38.0	R32	460	3.7	8.14
		SF	38.0	R38	460	3.9	8.58
		SF	38.0	R38	500	4.0	8.80
		SF	38.0	T38	460	3.9	8.58
		SF	38.0	T38	500	4.0	8.80
S807	Tamrock HL550S/560S 	SF	45.0	R32	500	5.2	11.44
		SF	45.0	R38	500	5.3	11.66
		SF	45.0	T38	500	5.3	11.66
		SF	45.0	T45	500	5.3	11.66
S808	Tamrock HL600-45/600S-45 	SF	45.0	R32	600	6.3	13.86
		SF	45.0	R38	525	5.6	12.32
		SF	45.0	T38	525	5.7	12.54
		SF	45.0	T38	600	6.4	14.08
		SF	45.0	T45	525	5.8	12.76
		SF	45.0	T45	600	6.4	14.08
S809	Tamrock HL600-52 	SF	52.0	T45	650	6.4	14.08
		SF	52.0	T51	650	6.4	14.08
S810	Tamrock HL645 	SF	45.0	T38	600	6.6	14.52
		SF	45.0	T45	600	6.9	15.18





## Adaptadores de Martillos

Figura Nº	Martillo	Salida de Barrido	D=W	Rosca	Longitud	Peso Aproximado	
			mm			mm	mm
S811	Tamrock HL650-45/700-45	SF	45.0	T38	600	7.0	15.40
		SF	45.0	T45	600	7.5	16.50
S812	Tamrock HL650-52/700-52	SF	52.0	T38	600	8.0	17.60
		SF	52.0	T45	600	8.5	18.70
		SF	52.0	T51	600	8.6	18.92
S813	Tamrock HL850	19.0	52.0	T45	500	7.2	15.84
		19.0	52.0	T51	500	7.2	15.84
S814	Tamrock HL850S	SF	52.0	T45	670	9.5	20.90
		SF	52.0	T51	670	9.8	21.61
S815	Tamrock HL1000-52	SF	52.0	T45	590	8.9	19.58
		SF	52.0	T45	670	10.0	22.00
		SF	52.0	T51	590	9.3	20.46
		SF	52.0	T51	670	10.7	23.54
S816	Tamrock HL1000-60	SF	60.0	T51	670	12.5	27.50
		SF	60.0	T60	670	13.0	28.60
		SF	60.0	ST58	670	12.9	28.38





## Adaptadores de Martillos

Figura Nº	Martillo	Salida de Barrido	D=W	Rosca	Longitud	Peso Aproximado	
			mm			mm	mm
S817	Tamrock HL1500-52 	SF	52.0	T51	710	11.2	24.69
		SF	52.0	T51	710	11.2	24.69
S818	Tamrock HL1500-60 	SF	60.0	T51	710	13.3	29.26
		SF	60.0	T60	710	13.9	30.58
		SF	60.0	ST58	710	13.7	30.14
		SF	60.0	YT60	710	13.7	30.14
S901	Toyo TH500/501/550 	11.0	45.0	R38	565	5.9	12.98
		11.0	45.0	T38	565	5.9	12.98
S902	Toyo TH800RP 	SF	44.9	T38	765	9.4	20.68
		SF	44.8	T45	765	9.5	20.90

