



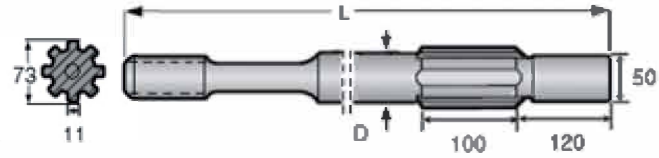
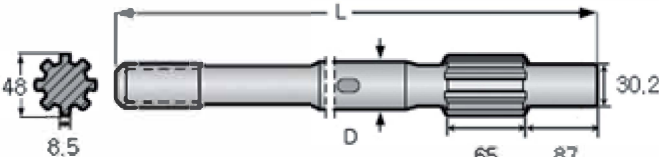
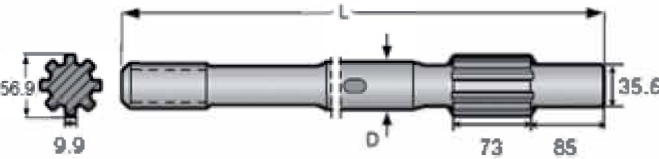
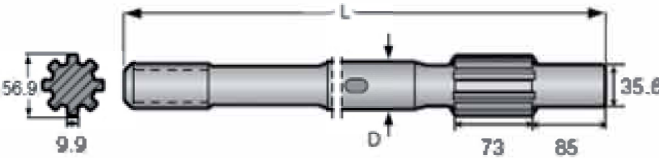
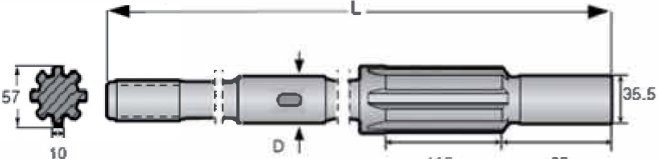
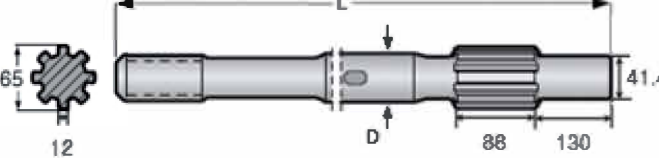
## Adaptadores de Martillos

Figura Nº	Martillo	Salida de Barrido	D=W	Rosca	Longitud	Peso Aproximado	
						mm	mm
S207	Furukawa HD150	SF	40.0	R38	520	5.7	12.54
		SF	40.0	T38	520	5.7	12.54
S208	Furukawa HD180	14.3	39.9	T38	565	4.5	9.90
		14.3	39.9	T45	565	4.5	9.90
S209	Furukawa HD210	SF	40.0	T38	410	4.0	8.80
S210	Furukawa HD300	16.0	45.0	T38	655	6.2	13.64
		16.0	45.0	T45	655	6.5	14.30
S211	DNS DNT3 Furukawa HD500 Mitsui DCH400/600 Soosan SP3	16.0	56.0	R38	635	8.0	17.60
		16.0	56.0	T38	620	8.0	17.60
		16.0	56.0	T38	635	8.0	17.60
		16.0	56.0	T45	620	8.0	17.60
		16.0	56.0	T45	635	8.3	18.26
		16.0	56.0	T51	635	8.8	19.36
S212	Soosan SP3	SF	55.8	T45	640	8.3	18.26





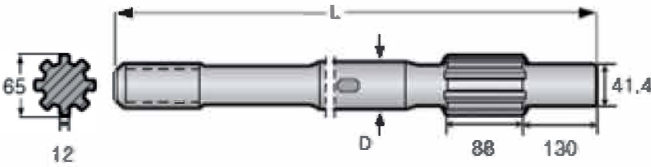
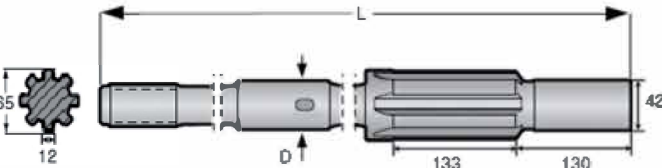
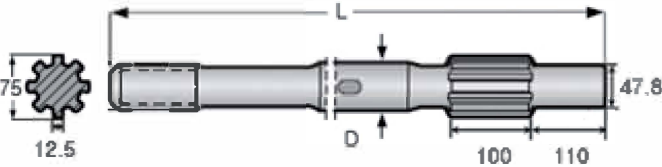
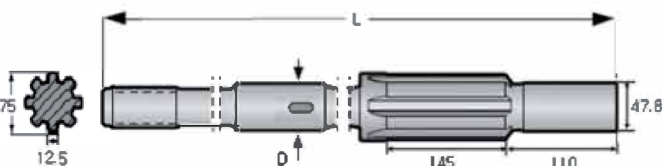
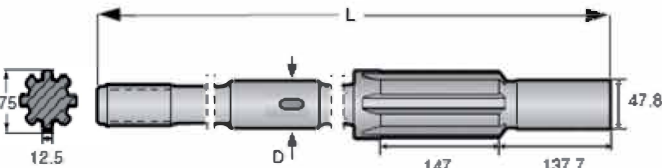
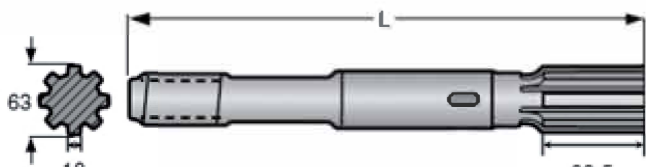
## Adaptadores de Martillos

Figura Nº	Martillo	Salida de Barrido	D=W	Rosca	Longitud mm	Peso Aproximado	
		mm	mm			Kg	lb
S213	Furukawa HD500(8SP) 	19.0	52.0	T38	710	8.0	17.60
		19.0	52.0	T45	710	8.3	18.26
		19.0	52.0	T51	710	8.8	19.36
S214	Furukawa HD606 	SF		T38	580	4.3	9.46
S215	Furukawa HD609 	SF	44.8	T38	620	6.0	13.20
		SF	44.8	T45	620	6.6	14.52
S216	Furukawa HD609 Junjin JET7 Soosan SP3G 	SF	44.8	T38	690	6.4	14.08
		SF	44.8	T45	690	6.8	14.96
S217	Furukawa HD609RP 	SF	44.8	T38	795	8.0	17.60
		SF	44.8	T38	865	8.4	18.48
		SF	44.8	T45	795	8.1	17.82
		SF	44.8	T45	865	8.5	18.70
S218	Furukawa HD612 	SF	50.8	T38	670	8.4	18.48
		SF	50.8	T45	670	8.5	18.70
		SF	50.8	T51	670	9.1	20.02





## Adaptadores de Martillos

Figura Nº	Martillo	Salida de Barrido	D=W	Rosca	Longitud	Peso Aproximado	
			mm			mm	Kg
S219	Furukawa HD612 Soosan SP6 	SF	50.8	T38	710	8.5	18.70
		SF	50.8	T45	710	8.7	19.14
		SF	50.8	T51	710	9.2	20.24
		SF	50.8	T51	710	9.2	20.24
S221	Furukawa HD612RP 	SF	50.8	T38	845	11.0	24.20
		SF	50.8	T38	885	11.2	24.69
		SF	50.8	T45	845	11.0	24.20
		SF	50.8	T45	885	11.3	24.86
		SF	50.8	T51	845	11.0	24.20
		SF	50.8	T51	905	11.7	25.74
S223	Furukawa HD615 	SF	57.8	T45	700	11.0	24.20
		SF	57.8	T51	700	11.3	24.86
		SF	57.8	T51	880	13.4	29.48
S225	Furukawa HD615RP 	SF	57.8	T45	880	14.0	30.80
		SF	57.8	T51	880	14.5	31.90
		SF	57.8	T51	960	15.2	33.44
S226	Furukawa HD615RP 	SF	57.8	T45	910	14.9	32.78
		SF	57.8	T51	990	15.6	34.32
S227	Furukawa HD709 	SF	45.0	T38	590	6.0	13.20
		SF	45.0	T38	620	6.1	13.42
		SF	45.0	T45	590	6.4	14.08
		SF	45.0	T45	620	6.5	14.30

