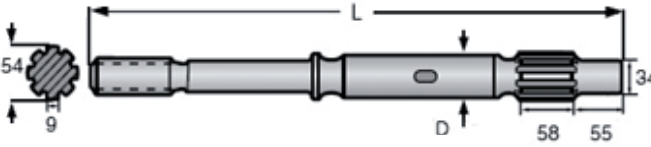
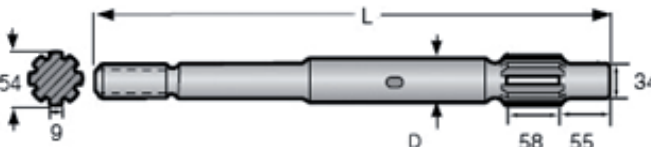
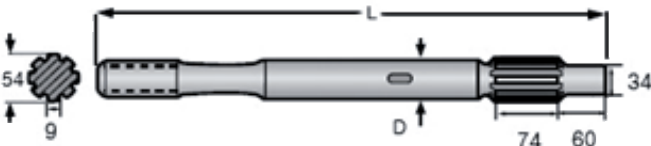

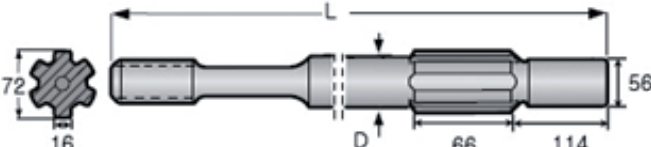
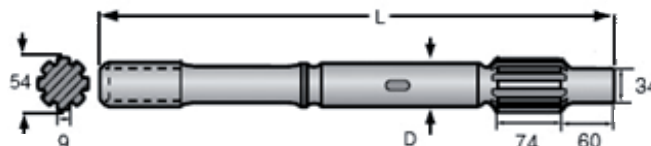




Adaptadores de Martillos

| Figura Nº | Martillo | Salida de Barrido | D=W | Rosca | Longitud mm | Peso Aproximado | |
|--------------|---|-------------------------|------|-------|----------------|--------------------|-------|
| | | mm | mm | | | Kg | lb |
| S007 | Atlas Copco COP1032HD  | SF | 45.0 | R32 | 626 | 5.4 | 11.88 |
| S008 | Atlas Copco COP1032LE SIG HBM50/100/120  | SF | 45.0 | R32 | 550 | 4.8 | 10.56 |
| S009 | Atlas Copco COP1036/1038HB/1238 Secoma Hydrastar350  | SF | 38.0 | R32 | 500 | 4.0 | 8.80 |
| | | SF | 38.0 | R38 | 500 | 4.4 | 9.68 |
| | | SF | 38.0 | T38 | 500 | 4.4 | 9.68 |
| | | SF | 45.0 | T45 | 500 | 5.0 | 11.00 |
| S010 | Atlas Copco COP1038HD/1238 Secoma Hydrastar200/300  | SF | 38.0 | R32 | 485 | 4.0 | 8.80 |
| | | SF | 38.0 | R38 | 485 | 4.2 | 9.24 |
| | | SF | 38.0 | T38 | 485 | 4.2 | 9.24 |
| S011 | Atlas Copco COP1038HL/1238  | SF | 38.0 | R32 | 575 | 4.6 | 10.12 |
| | | SF | 38.0 | R38 | 575 | 4.9 | 10.80 |
| | | SF | 38.0 | T38 | 575 | 4.9 | 10.80 |
| | | SF | 38.0 | T45 | 575 | 5.3 | 11.66 |
| S012 | Atlas Copco COP1038HL/1238  | SF | 45.0 | R32 | 575 | 5.2 | 11.44 |
| | | SF | 45.0 | R38 | 575 | 5.4 | 11.88 |
| | | SF | 45.0 | T38 | 575 | 5.4 | 11.88 |
| | | SF | 45.0 | T45 | 575 | 5.8 | 12.76 |

