



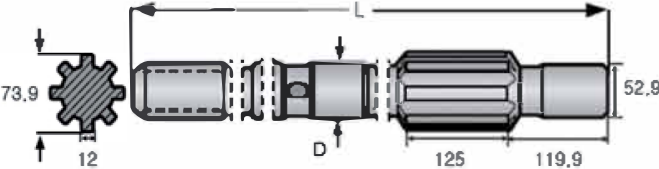
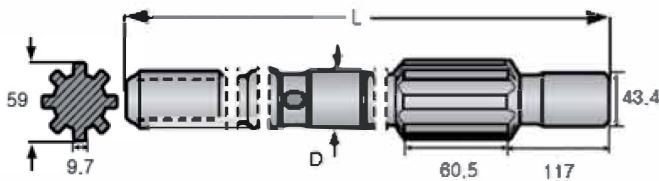
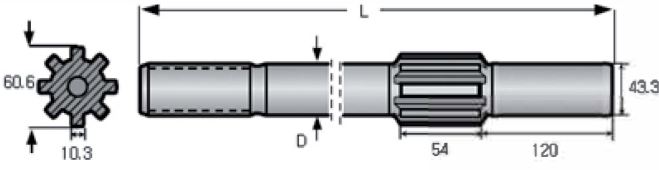
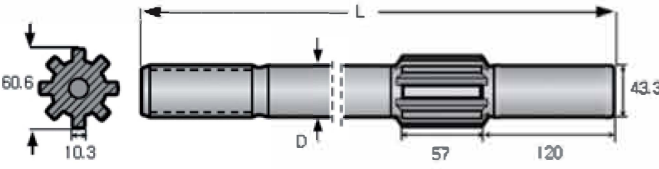
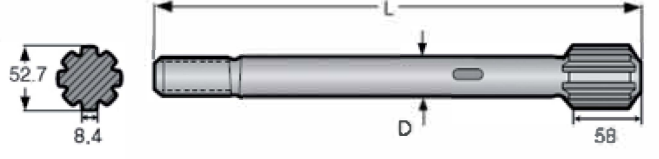
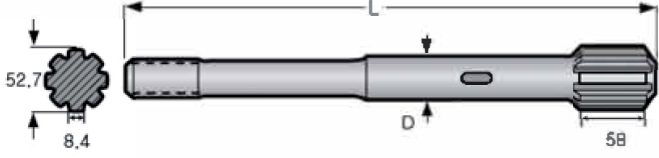
## Adaptadores de Martillos

Figura Nº	Martillo	Salida de Barrido	D=W	Rosca	Longitud mm	Peso Aproximado	
		mm	mm			Kg	lb
S001	Atlas Copco BBC41/43/44/45/100 Gardner Denver 93/99 Ingersoll Rand DA35/505	10.0	31.9	R32	380	1.9	4.18
S002	Atlas Copco BBC51/52/54/120 Montabert H40/50/60/70	10.0	38.0	R32	380	2.6	5.72
		10.0	38.0	R38	390	3.1	6.82
		10.0	38.0	T38	390	3.1	6.82
S003	Atlas Copco BBE56/57/5701 Furukawa HD260 Ingersoll Rand YH60/60A Montabert H100	14.3	44.4	R38	447	5.0	11.00
		14.3	44.4	T38	530	5.5	12.10
		14.3	44.4	T38	538	5.3	11.66
		14.3	44.4	T45	530	5.7	12.54
		14.3	44.4	T45	550	5.9	12.98
S004	Atlas Copco COP125/130/131	14.3	38.3	R32	380	2.7	5.94
		14.3	38.3	T38	380	3.0	6.60
S005	Atlas Copco COP131EB	14.3	38.3	R32	405	2.7	5.94
		14.3	38.3	T38	405	3.4	7.48
S006	Atlas Copco COP925/928	SF	38.0	R32	510	5.0	11.00
		SF	38.0	R38	510	5.7	12.54
		SF	38.0	T38	510	5.7	12.54





## Adaptadores de Martillos

Figura Nº	Martillo	Salida de Barrido	D=W	Rosca	Longitud	Peso Aproximado	
						mm	mm
S415	Ingersoll Rand YH110VRP/125RP/135RP 	SF	54.9	T45	900	14.6	32.12
		SF	54.9	T51	840	14.6	32.12
		SF	54.9	T51	900	14.6	32.12
		SF	54.9	T51	950	14.6	32.12
S501	Joy 	SF	42.0	T38	550	5.6	12.32
S502	Joy VCR260/360 Tamrock HL844 	16.0	38.0	R38	391	3.6	7.92
		16.0	38.0	T38	391	3.6	7.92
S503	Joy VCR260/360 Tamrock HL844 	16.0	38.0	T38	410	4.1	9.02
		14.3	38.0	T38	435	3.6	7.92
		16.0	44.0	T45	425	4.6	10.12
		16.0	38.0	T45	450	5.0	11.00
S601	Montabert HC40/50 	SF	32.0	R32	372	3.2	7.04
		SF	32.0	R38	372	3.2	7.04
S602	Montabert HC40/50 	SF	38.0	R32	447	3.5	7.70
		SF	38.0	R38	447	3.7	8.14
		SF	38.0	T38	447	3.7	8.14





## Adaptadores de Martillos

Figura Nº	Martillo	Salida de Barrido	D=W	Rosca	Longitud	Peso Aproximado	
			mm			mm	mm
S603	Montabert HC80/90/105 	SF	38.0	R32	440	3.9	8.58
		SF	38.0	R38	440	3.9	8.58
		SF	38.0	T38	450	4.0	8.80
S604	Montabert HC80/90/105 	SF	45.0	T38	591	6.7	14.74
		SF	45.0	T45	591	7.0	15.40
S605	Montabert HC80RP 	SF	45.0	T38	670	7.9	17.38
		SF	45.0	T38	771	8.5	18.70
		SF	45.0	T45	670	7.5	16.50
		SF	45.0	T45	771	8.7	19.14
S606	Montabert HC120/150 	SF	45.0	T38	490	5.8	12.76
		SF	45.0	T38	530	5.9	12.98
		SF	45.0	T45	490	5.8	12.76
S607	Montabert HC120RP/150RP 	SF	50.9	T45	670	9.0	19.80
		SF	50.9	T45	771	10.0	22.00
		SF	50.9	T51	670	9.3	20.46
		SF	50.9	T51	771	10.0	22.00
S608	Montabert HC160/170 	SF	59.9	T45	807	15.1	33.22
		SF	59.9	T51	807	15.1	33.22
		SF	59.9	T51	858	15.2	33.44
		SF	59.9	T60	858	15.4	33.88





## Adaptadores de Martillos

Figura Nº	Martillo	Salida de Barrido	D=W	Rosca	Longitud	Peso Aproximado	
			mm			mm	mm
S609	Montabert HC200	SF	50.9	T51	840	13.6	29.92
		SF	62.9	T60	840	16.5	36.30
S610	Montabert HC200A	SF	60.0	T51	865	13.6	29.92
		SF	60.0	T60	978	18.0	39.60
		SF	60.0	YT60	850	16.8	36.96
S801	Tamrock HL300S	SF	45.0	R32	245	2.6	5.72
S802	Tamrock HLR438L/438T	12.7	38.0	R32	380	3.8	8.36
		12.7	38.0	R38	380	4.0	8.80
		12.7	38.0	T38	400	4.1	9.02
S803	Tamrock HLR438LS/438TS/HL538	SF	38.0	R32	450	3.8	8.36
		SF	38.0	R38	450	4.0	8.80
		SF	38.0	T38	455	4.1	9.02
S804	Tamrock HL500-38/510-38	SF	38.0	R32	550	4.3	9.46
		SF	38.0	R38	550	4.6	10.12
		SF	38.0	T38	550	4.6	10.12

