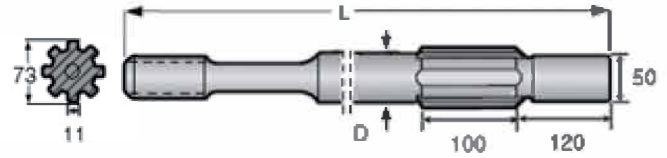
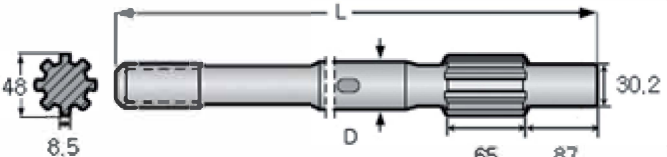
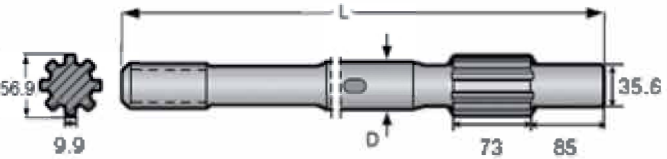
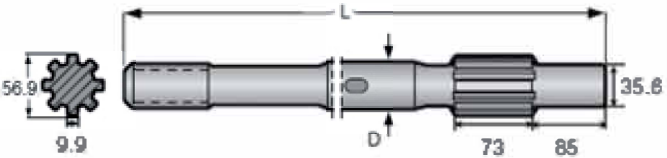
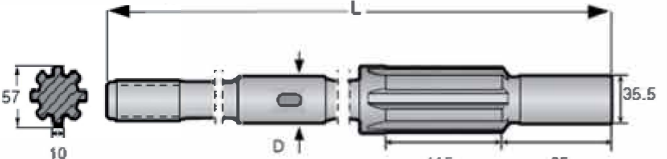
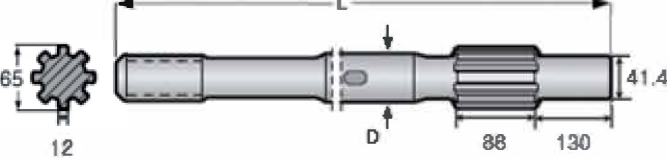




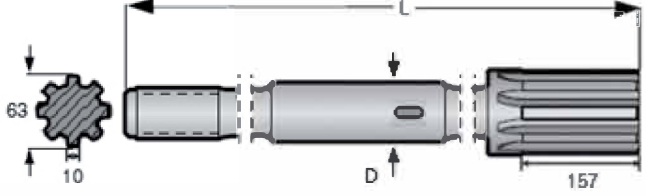
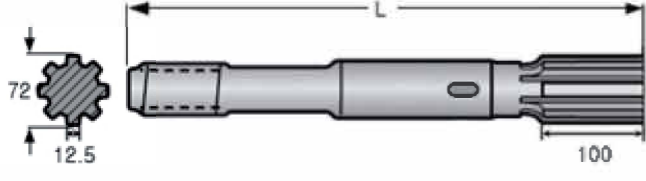
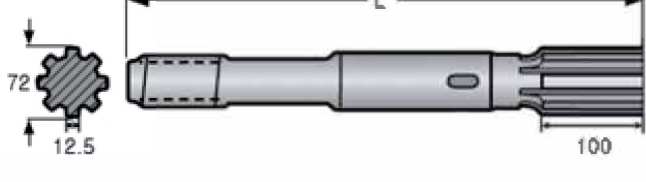
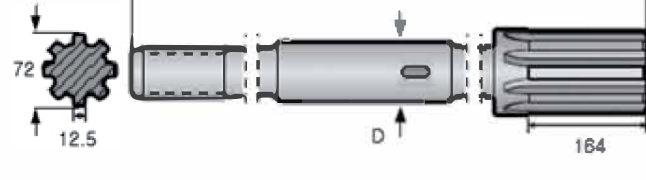
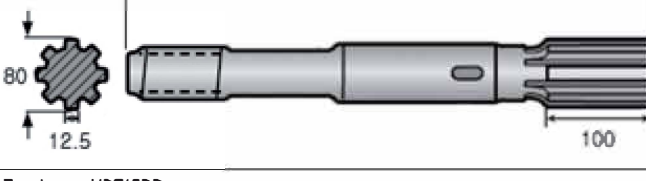
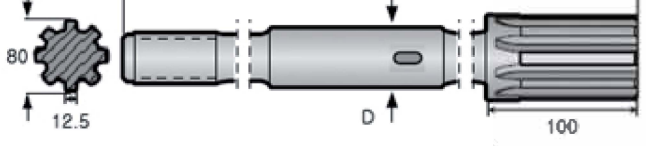
## Adaptadores de Martillos

Figura Nº	Martillo	Salida de Barrido	D=W	Rosca	Longitud mm	Peso Aproximado	
		mm	mm			Kg	lb
S213	Furukawa HD500(8SP) 	19.0	52.0	T38	710	8.0	17.60
		19.0	52.0	T45	710	8.3	18.26
		19.0	52.0	T51	710	8.8	19.36
S214	Furukawa HD606 	SF		T38	580	4.3	9.46
S215	Furukawa HD609 	SF	44.8	T38	620	6.0	13.20
		SF	44.8	T45	620	6.6	14.52
S216	Furukawa HD609 Junjin JET7 Soosan SP3G 	SF	44.8	T38	690	6.4	14.08
		SF	44.8	T45	690	6.8	14.96
S217	Furukawa HD609RP 	SF	44.8	T38	795	8.0	17.60
		SF	44.8	T38	865	8.4	18.48
		SF	44.8	T45	795	8.1	17.82
		SF	44.8	T45	865	8.5	18.70
S218	Furukawa HD612 	SF	50.8	T38	670	8.4	18.48
		SF	50.8	T45	670	8.5	18.70
		SF	50.8	T51	670	9.1	20.02





## Adaptadores de Martillos

Figura Nº	Martillo	Salida de Barrido	D=W	Rosca	Longitud	Peso Aproximado	
			mm			mm	mm
S228	Furukawa HD709RP 	SF	45.0	T38	785	9.2	20.24
		SF	45.0	T38	815	9.3	20.46
		SF	45.0	T45	785	9.2	20.24
		SF	45.0	T45	815	9.9	21.78
S229	Furukawa HD712 Junjin JET9 	SF	50.8	T38	590	8.7	19.14
		SF	50.8	T45	590	8.7	19.14
		SF	50.8	T51	590	9.5	20.90
S230	Furukawa HD712 	SF	50.8	T38	790	10.3	22.66
		SF	50.8	T45	790	10.5	23.10
		SF	50.8	T51	790	10.7	23.54
S231	Furukawa HD712RP 	SF	51.0	T38	785	10.0	22.00
		SF	51.0	T38	885	11.3	24.86
		SF	51.0	T45	785	10.0	22.00
		SF	51.0	T45	885	11.5	25.30
		SF	51.0	T51	785	10.0	22.00
		SF	51.0	T51	885	11.7	25.74
S232	Furukawa HD715 	SF	58.0	T45	590	11.3	24.86
		SF	58.0	T45	790	11.3	24.86
		SF	58.0	T51	590	12.0	26.40
		SF	58.0	T51	790	12.0	26.40
S233	Furukawa HD715RP 	SF	58.0	T45	785	11.5	25.30
		SF	58.0	T45	885	14.4	31.68
		SF	58.0	T51	785	11.5	25.30
		SF	58.0	T51	885	14.4	31.68

