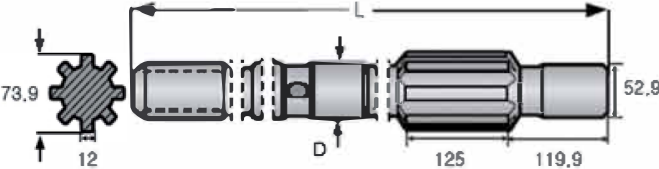
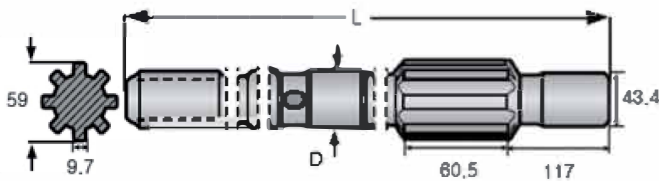
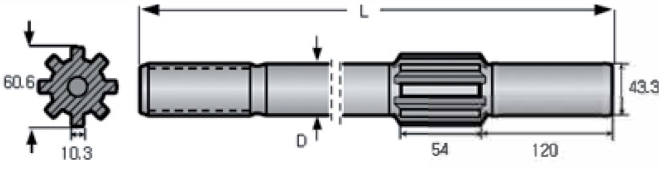
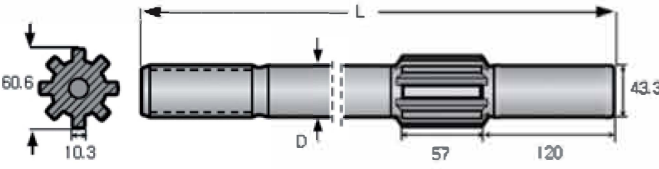
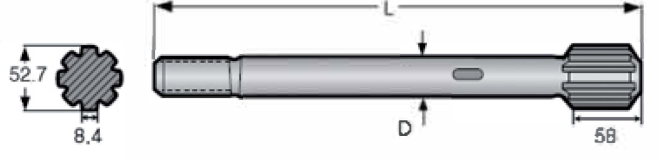
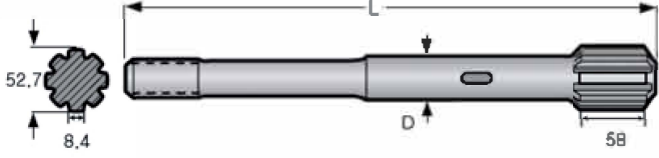




Adaptadores de Martillos

Figura Nº	Martillo	Salida de Barrido	D=W	Rosca	Longitud	Peso Aproximado	
			mm			mm	mm
S415	Ingersoll Rand YH110VRP/125RP/135RP 	SF	54.9	T45	900	14.6	32.12
		SF	54.9	T51	840	14.6	32.12
		SF	54.9	T51	900	14.6	32.12
		SF	54.9	T51	950	14.6	32.12
S501	Joy 	SF	42.0	T38	550	5.6	12.32
S502	Joy VCR260/360 Tamrock HL844 	16.0	38.0	R38	391	3.6	7.92
		16.0	38.0	T38	391	3.6	7.92
S503	Joy VCR260/360 Tamrock HL844 	16.0	38.0	T38	410	4.1	9.02
		14.3	38.0	T38	435	3.6	7.92
		16.0	44.0	T45	425	4.6	10.12
		16.0	38.0	T45	450	5.0	11.00
S601	Montabert HC40/50 	SF	32.0	R32	372	3.2	7.04
		SF	32.0	R38	372	3.2	7.04
S602	Montabert HC40/50 	SF	38.0	R32	447	3.5	7.70
		SF	38.0	R38	447	3.7	8.14
		SF	38.0	T38	447	3.7	8.14

