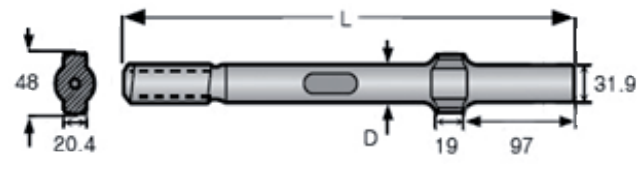
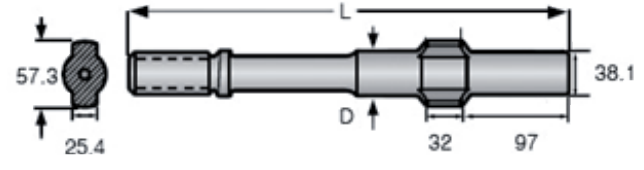
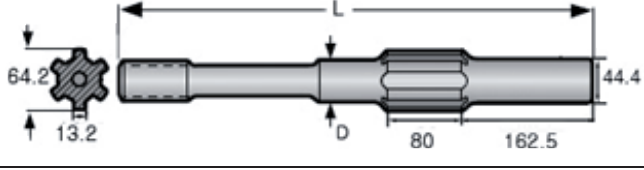
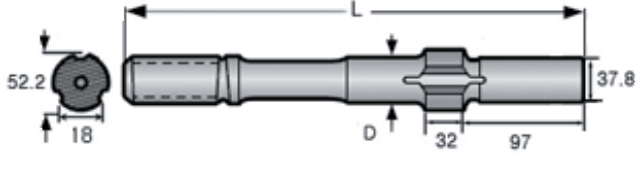
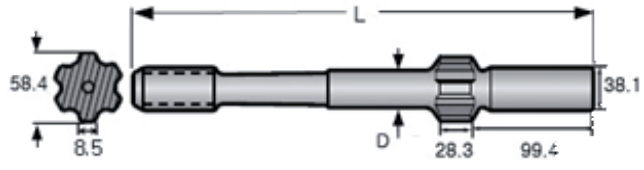
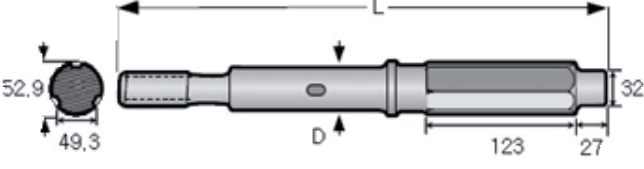




## Adaptadores de Martillos

Figura Nº	Martillo	Salida de Barrido	D=W	Rosca	Longitud mm	Peso Aproximado	
		mm	mm			Kg	lb
S001	Atlas Copco BBC41/43/44/45/100 Gardner Denver 93/99 Ingersoll Rand DA35/505 	10.0	31.9	R32	380	1.9	4.18
S002	Atlas Copco BBC51/52/54/120 Montabert H40/50/60/70 	10.0	38.0	R32	380	2.6	5.72
		10.0	38.0	R38	390	3.1	6.82
		10.0	38.0	T38	390	3.1	6.82
S003	Atlas Copco BBE56/57/5701 Furukawa HD260 Ingersoll Rand YH60/60A Montabert H100 	14.3	44.4	R38	447	5.0	11.00
		14.3	44.4	T38	530	5.5	12.10
		14.3	44.4	T38	538	5.3	11.66
		14.3	44.4	T45	530	5.7	12.54
		14.3	44.4	T45	550	5.9	12.98
S004	Atlas Copco COP125/130/131 	14.3	38.3	R32	380	2.7	5.94
		14.3	38.3	T38	380	3.0	6.60
S005	Atlas Copco COP131EB 	14.3	38.3	R32	405	2.7	5.94
		14.3	38.3	T38	405	3.4	7.48
S006	Atlas Copco COP925/928 	SF	38.0	R32	510	5.0	11.00
		SF	38.0	R38	510	5.7	12.54
		SF	38.0	T38	510	5.7	12.54





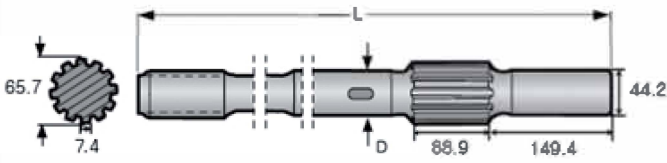
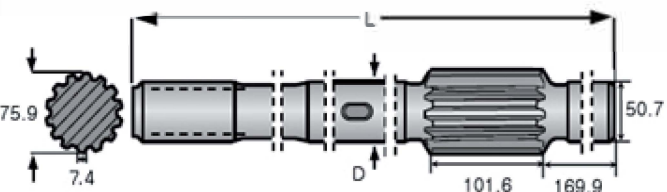
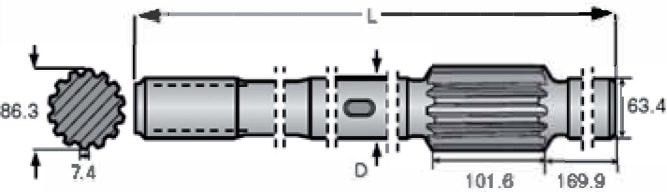
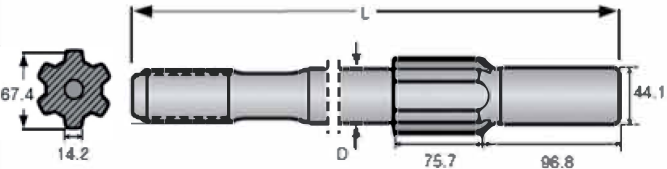
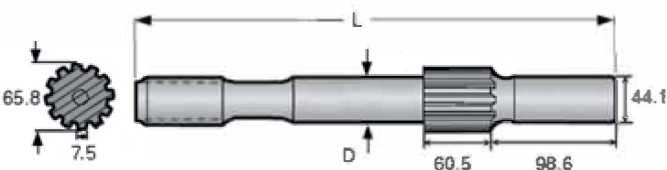
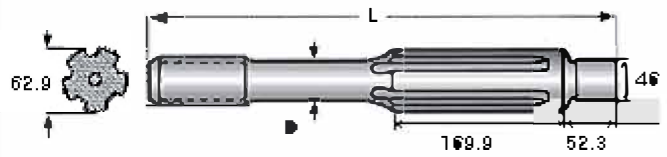
## Adaptadores de Martillos

Figura Nº	Martillo	Salida de Barrido	D=W	Rosca	Longitud mm	Peso Aproximado	
		mm	mm			Kg	lb
S201	Furukawa PD200/M120/HD200 Gardner Denver PR123/133/55 Ingersoll Rand URD475/550,VL120/140 Mitsui TR300/350S/400 Tamrock L600/750 Toyo PR120/220	14.3	44.1	R32	330	3.3	7.26
		14.3	44.1	R38	349	3.3	7.26
S202	Furukawa PD200/M120/HD200 Gardner Denver PR123/133/55 Ingersoll Rand URD475/550,VL120/140 Mitsui TR300/350S/400 Tamrock L600/750 Toyo PR120/220	14.3	44.3	R38	380	3.7	8.14
		14.3	44.3	T38	380	3.7	8.14
		14.3	44.3	T38	446	4.5	9.90
		14.3	44.3	T45	380	4.1	9.02
		14.3	44.3	T45	446	4.8	10.56
S203	Furukawa PD200R	14.3	44.3	T38	380	4.2	9.24
		14.3	44.3	T38	485	4.8	10.56
		14.3	44.3	T45	485	4.8	10.56
S204	Furukawa HD50	SF	40.0	R38	525	4.3	9.46
		SF	40.0	T38	525	4.3	9.46
S205	Furukawa HD90	SF	40.0	R38	500	4.9	10.80
		SF	40.0	T38	500	4.9	10.80
S206	Furukawa HD135/135A	SF	40.0	R38	501	5.3	11.66





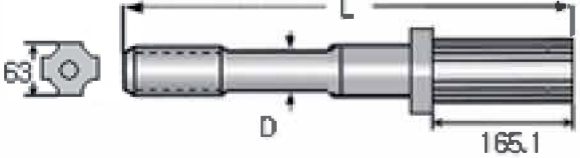
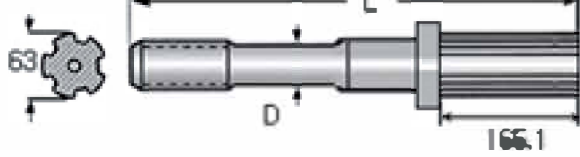
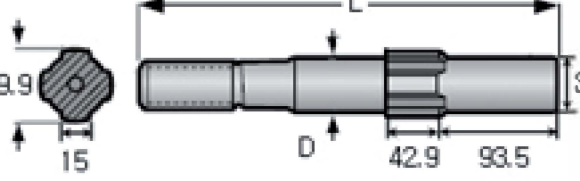
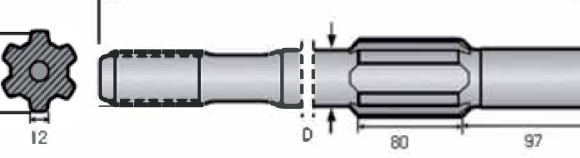
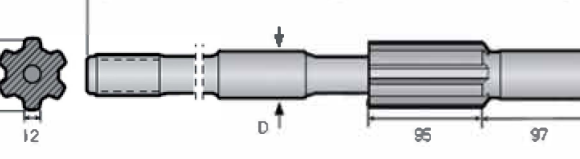
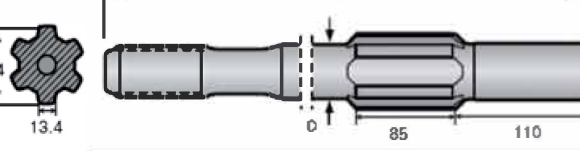
## Adaptadores de Martillos

Figura Nº	Martillo	Salida de Barrido	D=W	Rosca	Longitud mm	Peso Aproximado	
		mm	mm			Kg	lb
S301	Gardner Denver HPR1H 	SF	44.3	T38	744	6.8	14.96
		SF	44.3	T45	744	5.0	11.00
S302	Gardner Denver HPR2 	SF	50.7	T51	914	14.1	31.02
S303	Gardner Denver HPR2 	SF	69.8	T60	1041	18.0	39.60
S304	Gardner Denver PR66 	16.0	44.1	T45	559	5.9	12.98
S401	Ingersoll Rand VL140/EVL130(12SP) 	14.3	44.1	R38	344	3.8	8.36
		14.3	44.1	T38	349	3.8	8.36
		14.3	44.1	T45	349	4.1	9.02
S402	Ingersoll Rand VL671 	19.0	46.0	T45	530	5.9	12.98
		14.3	46.0	T45	530	6.0	13.20





## Adaptadores de Martillos

Figura Nº	Martillo	Salida de Barrido	D=W	Rosca	Longitud mm	Peso Aproximado	
		mm	mm			Kg	lb
S403	Ingersoll Rand VL671 	19.0	64.7	T51	502	8.0	17.60
S404	Ingersoll Rand VL671 	19.0	64.7	T51	502	8.1	17.82
S405	Ingersoll Rand YD90 	11.0	37.9	R32	349	2.3	5.06
S406	Ingersoll Rand YH50/55 	16.0	38.0	T38	440	3.8	8.36
S407	Ingersoll Rand YH50RP/55RP 	16.0	38.0	T38	560	4.8	10.56
S408	Ingersoll Rand YH65/70/80 	19.0 19.0	45.0 45.0	T38 T45	495 495	5.0 5.4	11.00 11.88





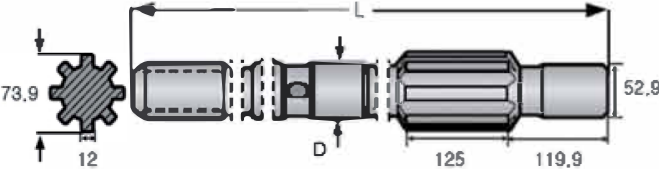
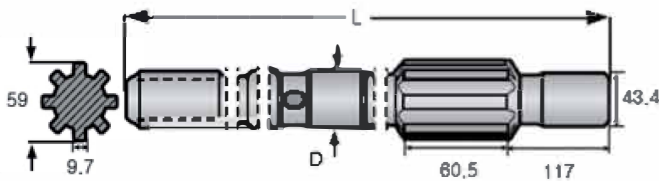
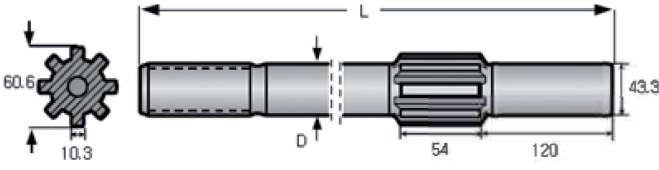
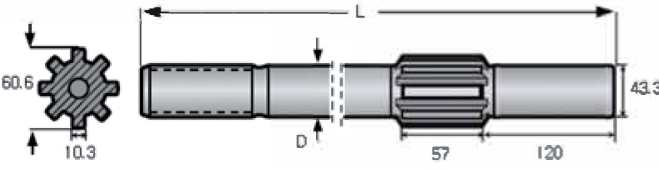
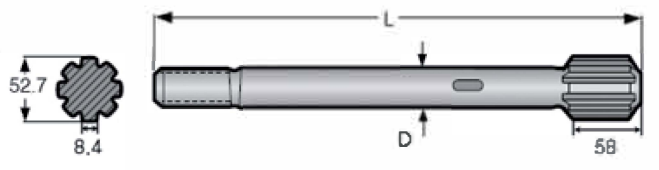
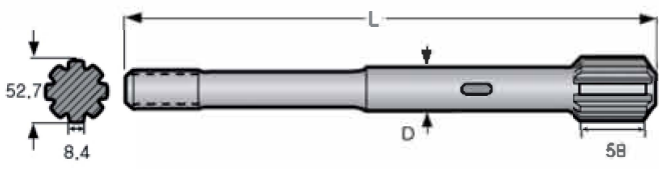
## Adaptadores de Martillos

Figura Nº	Martillo	Salida de Barrido	D=W	Rosca	Longitud	Peso Aproximado		
			mm			mm	mm	Kg
S409	Ingersoll Rand YH65RP/70RP/80RP	19.0	45.0	T38	700	7.9	17.38	
			19.0	45.0	T45	700	8.0	17.60
S410	Ingersoll Rand YH80A	19.0	50.8	T38	495	5.9	12.98	
			19.0	50.8	T45	495	5.9	12.98
			19.0	50.8	T51	495	5.9	12.98
S411	Ingersoll Rand YH80ARP	19.0	50.8	T38	700	9.1	20.02	
			19.0	50.8	T45	700	9.1	20.02
			19.0	50.8	T51	700	9.1	20.02
S412	Ingersoll Rand YH95/100	23.0	50.9	T45	626	7.8	17.16	
			23.0	50.9	T51	626	8.2	18.04
S413	Ingersoll Rand YH95RP/100RP	23.0	50.8	T45	840	10.9	23.98	
			23.0	50.8	T51	840	10.9	23.98
S414	Ingersoll Rand YH110V/124/135	SF	54.9	T45	728	13.5	29.70	
			SF	54.9	T51	728	13.6	29.92





## Adaptadores de Martillos

Figura Nº	Martillo	Salida de Barrido	D=W	Rosca	Longitud	Peso Aproximado	
			mm			mm	mm
S415	Ingersoll Rand YH110VRP/125RP/135RP 	SF	54.9	T45	900	14.6	32.12
		SF	54.9	T51	840	14.6	32.12
		SF	54.9	T51	900	14.6	32.12
		SF	54.9	T51	950	14.6	32.12
S501	Joy 	SF	42.0	T38	550	5.6	12.32
S502	Joy VCR260/360 Tamrock HL844 	16.0	38.0	R38	391	3.6	7.92
		16.0	38.0	T38	391	3.6	7.92
S503	Joy VCR260/360 Tamrock HL844 	16.0	38.0	T38	410	4.1	9.02
		14.3	38.0	T38	435	3.6	7.92
		16.0	44.0	T45	425	4.6	10.12
		16.0	38.0	T45	450	5.0	11.00
S601	Montabert HC40/50 	SF	32.0	R32	372	3.2	7.04
		SF	32.0	R38	372	3.2	7.04
S602	Montabert HC40/50 	SF	38.0	R32	447	3.5	7.70
		SF	38.0	R38	447	3.7	8.14
		SF	38.0	T38	447	3.7	8.14

