



Adaptadores de Martillos

Figura N°	Martillo	Salida de Barrido	D=W	Rosca	Longitud	Peso Aproximado	
		mm	mm			mm	Kg
S001	Atlas Copco BBC41/43/44/45/100 Gardner Denver 93/99 Ingersoll Rand DA35/505	10.0	31.9	R32	380	1.9	4.18
S002	Atlas Copco BBC51/52/54/120 Montabert H40/50/60/70	10.0	38.0	R32	380	2.6	5.72
		10.0	38.0	R38	390	3.1	6.82
		10.0	38.0	T38	390	3.1	6.82
S003	Atlas Copco BBE56/57/5701 Furukawa HD260 Ingersoll Rand YH60/60A Montabert H100	14.3	44.4	R38	447	5.0	11.00
		14.3	44.4	T38	530	5.5	12.10
		14.3	44.4	T38	538	5.3	11.66
		14.3	44.4	T45	530	5.7	12.54
		14.3	44.4	T45	550	5.9	12.98
S004	Atlas Copco COP125/130/131	14.3	38.3	R32	380	2.7	5.94
		14.3	38.3	T38	380	3.0	6.60
S005	Atlas Copco COP131EB	14.3	38.3	R32	405	2.7	5.94
		14.3	38.3	T38	405	3.4	7.48
S006	Atlas Copco COP925/928	SF	38.0	R32	510	5.0	11.00
		SF	38.0	R38	510	5.7	12.54
		SF	38.0	T38	510	5.7	12.54





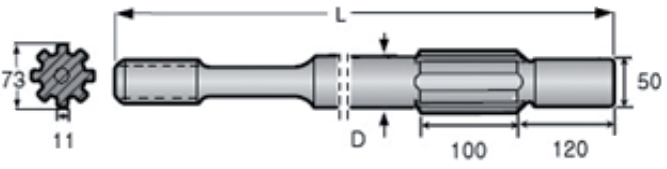
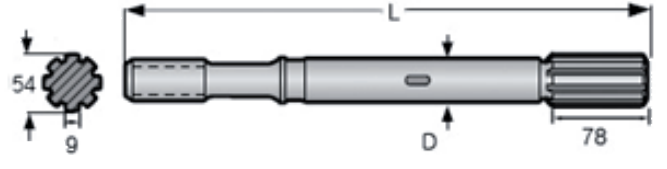
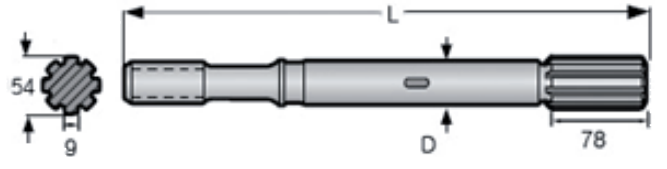
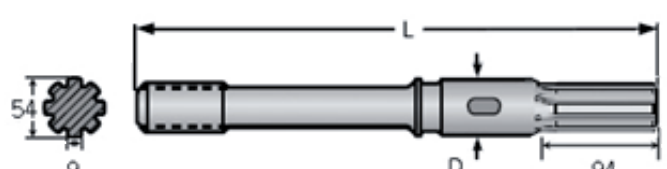
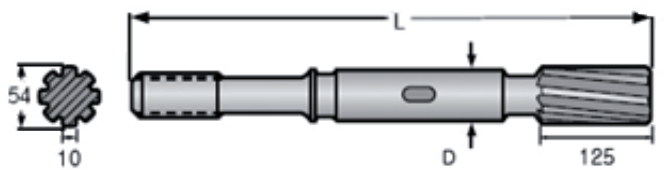
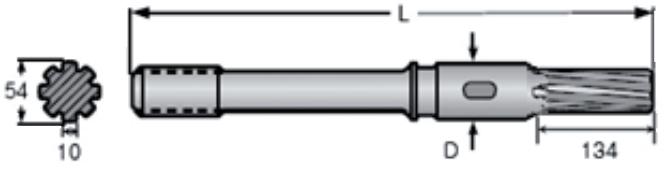
Adaptadores de Martillos

Figura Nº	Martillo	Salida de Barrido	D=W	Rosca	Longitud mm	Peso Aproximado	
		mm	mm			Kg	lb
S007	Atlas Copco COP1032HD	SF	45.0	R32	626	5.4	11.88
S008	Atlas Copco COP1032LE SIG HBM50/100/120	SF	45.0	R32	550	4.8	10.56
S009	Atlas Copco COP1036/1038HB/1238 Secoma Hydrastar350	SF	38.0	R32	500	4.0	8.80
		SF	38.0	R38	500	4.4	9.68
		SF	38.0	T38	500	4.4	9.68
		SF	45.0	T45	500	5.0	11.00
S010	Atlas Copco COP1038HD/1238 Secoma Hydrastar200/300	SF	38.0	R32	485	4.0	8.80
		SF	38.0	R38	485	4.2	9.24
		SF	38.0	T38	485	4.2	9.24
S011	Atlas Copco COP1038HL/1238	SF	38.0	R32	575	4.6	10.12
		SF	38.0	R38	575	4.9	10.80
		SF	38.0	T38	575	4.9	10.80
		SF	38.0	T45	575	5.3	11.66
S012	Atlas Copco COP1038HL/1238	SF	45.0	R32	575	5.2	11.44
		SF	45.0	R38	575	5.4	11.88
		SF	45.0	T38	575	5.4	11.88
		SF	45.0	T45	575	5.8	12.76





Adaptadores de Martillos

Figura N°	Martillo	Salida de Barrido	D=W	Rosca	Longitud	Peso Aproximado	
			mm			mm	mm
S013	Atlas Copco COP1440/1550/1838 	SF	38.0	R32	435	3.6	7.92
		SF	38.0	R38	435	3.9	8.58
		SF	38.0	T38	435	3.9	8.58
		SF	38.0	T38	435	3.9	8.58
S014	Atlas Copco COP1440/1550/1838 	SF	38.0	R32	525	4.5	9.90
		SF	38.0	R38	525	4.7	10.34
		SF	38.0	T38	525	4.7	10.34
S015	Atlas Copco COP1440/1550/1838 	SF	52.0	R32	525	5.7	12.54
		SF	52.0	T38	525	5.9	12.98
		SF	52.0	T45	525	6.1	13.42
		SF	52.0	T51	525	6.5	14.30
S016	Atlas Copco COP1550EX/1838EX 	SF	59.9	T38	730	9.8	21.61
		SF	59.9	T45	730	10.2	22.49
		SF	59.9	T51	730	10.4	22.93
S017	Atlas Copco COP1840HE/1850 	SF	52.0	T45	565	6.9	15.18
		SF	52.0	T45	575	7.0	15.40
		SF	52.0	T51	565	7.1	15.62
S018	Atlas Copco COP1840HEX/1850EX 	SF	60.0	T45	770	10.9	23.98
		SF	60.0	T51	770	11.2	24.69

